

# Angular Contact Ball Bearings

Bearing No. : **NACHI 7309CDB**

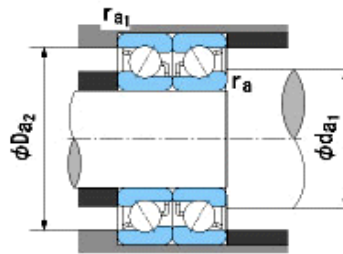
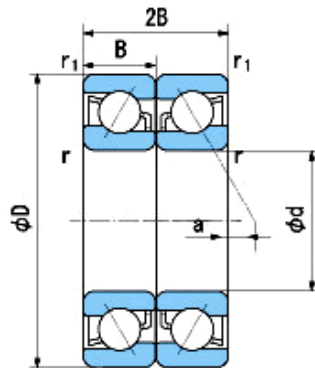
■ Bearing Type

■ Clearance

■ Tolerance Class

### Dimensions

d = 45 <sup>0</sup><sub>-0.012</sub>  
 D = 100 <sup>0</sup><sub>-0.015</sub>  
 B = 25 <sup>0</sup><sub>0.000</sub>  
 r = 1.5~2.3  
 (Radial Direction)  
 r = 1.5~4  
 (Axial Direction)  
 r1 = 1~1.5  
 (Radial Direction)  
 r1 = 1~3  
 (Axial Direction)  
 a = -4.1



### Dimensions

da1(min) = 54  
 da2(min) = 54  
 Da1(max) = 91  
 Da2(max) = 94.6  
 ra(max) = 1.5  
 ra1(max) = 1  
 Mass = 1.75 kg

Basic Dynamic Load Rating Cr :	<b>103,000</b> N
Basic Static Load Rating Cor :	<b>87,000</b> N
Limiting Speed ;	
Grease Lubrication :	<b>8,800</b> min <sup>-1</sup>
Oil Lubrication :	<b>12,000</b> min <sup>-1</sup>

	INNER RING	OUTER RING
O.D.Surface Runout with Side :		-
Axial Runout with Bore :	-	-
Axial Runout with Raceway :	-	-
Width Variation :	<b>0.020</b>	<b>0.020</b>
Radial Runout :	<b>0.015</b>	<b>0.035</b>